

Diaphragm accumulator

Type HAD



- ▶ Component series 1X and 2X
- ▶ Nominal volume 0.075 ... 3.5 liters
- ▶ Maximum operating pressure 350 bar



Features

- ▶ Hydro-pneumatic accumulator for use in mobile machines and stationary machinery and systems
- ▶ Use:
 - Energy storage in intermittent operation systems
 - Energy reserve for emergencies
 - Impact and vibration absorption
 - Volume compensation in case of pressure and temperature change
- ▶ Approval:
 - according to PED 2014/68/EU

Contents

Features	1
Ordering code	2, 3
Function, section	4
Technical data	5
Application, mode of operation	6
Calculation	6, 7
Characteristic curves	8, 9
Dimensions	10...13
Accessories	14...19
Important notes, safety equipment	20
Further information	21

Ordering code

01	02	03	04	05	06	07	08	09	10	11	12	13	14
HAD		-	-	/			-		1	1	1	-	-

01	Diaphragm accumulator	HAD
----	-----------------------	-----

Nominal volume

02		0.075	0.16	0.35	0.5	0.6	0.7	1.0	1.4	2.0	2.8	3.5	
----	--	-------	------	------	-----	-----	-----	-----	-----	-----	-----	-----	--

Maximum operating pressure

03	55 bar												o	55	
	70 bar											o	70		
	100 bar										o	100			
	140 bar									o	140				
	160 bar				o	o							160		
	180 bar							o						180	
	200 bar								o					200	
	210 bar					o				o					210
	250 bar	•	•	•	•		•	•	•	•	•	•	•	250	
	330 bar						•							330	
350 bar									o		o	o	o	350	

Component series

04	Component series 10 ... 19 (only with these nominal volume/pressure combinations)	250	250	160 210 250	160	330	180 210 250	200 250	140 250	100 250	70		1X
	Component series 20 ... 29 (only with these nominal volume/pressure combinations)				250		350		350	350	250 350	55 250	2X

Pre-filling pressure

05	0 bar	•	•	•	•	•	•	•	•	•	•	•	•	0
	1 ... 250 bar	o	o	o	o	o	o	o	o	o	o	o	o	1 ... 250

Dimension of hydraulic fluid connection

06	M14 x 1.5	o											Z04	
	M18 x 1.5		o	o	o		o		o				Z06	
	M22 x 1.5								o	o	o	o		Z08
	G1/2	•	•	•	•	•	•	•	•	o	o		G04	
	G3/4										•	•	•	G05

Type of mounting of hydraulic fluid connection

07	Mounting cavity		o	o	o		o						A	
	Mounting cavity with external hexagon	•	•	•	•	•	•	•	•	•	•	•	C	
	Screw-in stud	o	o										F	
	Screw-in stud M33 x 1.5 with internal thread							o	o	o				E
	Screw-in stud M45 x 1.5 with internal thread										o	o	o	E5

•	Preferred program
o	Delivery range
	On request

Ordering code

01	02	03	04	05	06	07	08	09	10	11	12	13	14
HAD		-	-	/			-		1	1	1	-	-

Nominal volume

02		0.075	0.16	0.35	0.5	0.6	0.7	1.0	1.4	2.0	2.8	3.5	
----	--	-------	------	------	-----	-----	-----	-----	-----	-----	-----	-----	--

Dimension of gas port

08	M28 x 1.5	•	•	•	•	•	•	•	•	•	•	•	1
----	-----------	---	---	---	---	---	---	---	---	---	---	---	---

Material of accumulator diaphragm

09	NBR	•	•	•	•	•	•	•	•	•	•	•	N
	ECO		o	o	o		o	o	o		o	o	E
	FKM						o						F

Material of reservoir

10	Steel	•	•	•	•	•	•	•	•	•	•	•	1
----	-------	---	---	---	---	---	---	---	---	---	---	---	---

Surface of tank inside

11	Without coating	•	•	•	•	•	•	•	•	•	•	•	1
----	-----------------	---	---	---	---	---	---	---	---	---	---	---	---

Material of hydraulic fluid connection

12	Steel	•	•	•	•	•	•	•	•	•	•	•	1
----	-------	---	---	---	---	---	---	---	---	---	---	---	---

Approval

13	Not necessary	•	•	•	•	•	•	•					BA
	PED 2014/68/EU	EU							•	•	•	•	CE

Additional details

14	Further details in the plain text, e.g. special versions												*
----	--	--	--	--	--	--	--	--	--	--	--	--	---

•	Preferred program
o	Delivery range
	On request

Function, section

General

One of the main tasks of hydro-pneumatic accumulators is e.g. to accept certain volumes of pressurized liquids of hydro-pneumatic installations and to return them to the system if required.

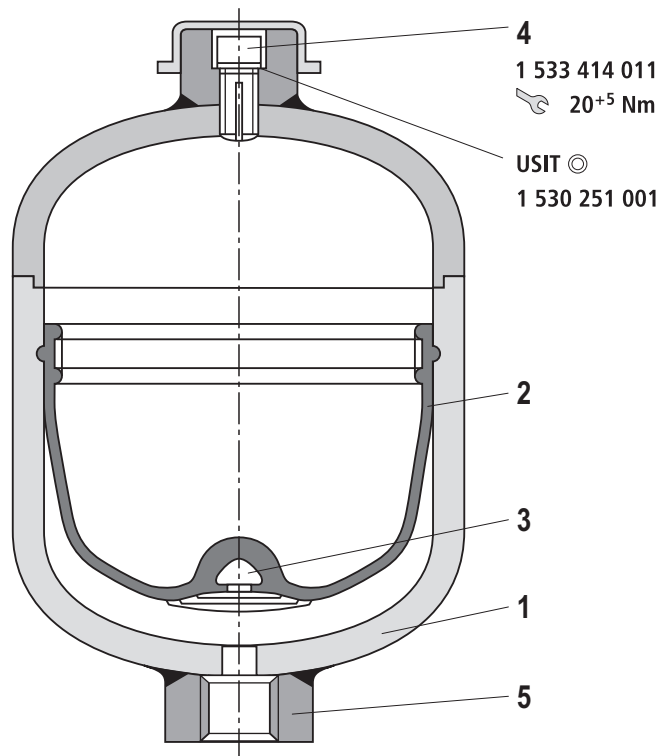
As the liquid is pressurized, the hydro-pneumatic accumulators are treated like pressure vessel and must be designed for the max. operating over-pressure considering the acceptance standards of the country of installation.

In most hydro-pneumatic systems, hydro-pneumatic accumulators with separator element are used.

The difference between bladder, piston and diaphragm accumulators lies in the type of separator element. Hydro-pneumatic accumulators essentially consist of a fluid section and a gas section with a gas-tight separator element. The fluid section has a connection to the hydraulic circuit. During the pressure increase, the gas is compressed and liquid accepted in the hydro-pneumatic accumulator. When the pressure decreases, the compressed gas expands and displaces the accumulated fluid into the circuit.

Diaphragm accumulator

Diaphragm accumulators consist of a pressure-resistant steel vessel (1) which most commonly has a spherical to cylindrical form. Inside the accumulator, there is the separator element, namely a diaphragm (2) made of an elastic, flexible material (elastomer) with the closing button (3) and the plug screw (4). They correspond to Pressure Equipment Directive 2014/68/EU.



- 1 Tank
- 2 Diaphragm
- 3 Closing button
- 4 Plug screw
(gas filling screw)
- 5 Fluid connection

Symbol



Technical data

(For applications outside these values, please consult us!)

General	
Design	Diaphragm accumulator, welded
Installation position	Any, preferably with the fluid connection socket at the bottom
Type of mounting	With clamps or via stud end connectors
Hydraulic fluid connection	Screw-in thread
Surface	Painted, color glossy black

Hydraulic

Nominal volume V_{nom}	l	0.075	0.16	0.35	0.5	0.6	0.7	1.0	1.4	2.0	2.8	3.5	
Effective gas volume V_{eff}	l	0.075	0.16	0.32	0.48	0.6	0.75	1.0	1.4	1.95	2.7	3.5	
Maximum admissible flow q_{max}	l/min	10		40						60			
Maximum admissible operating pressure	p_{max} bar											55 [45]	
												70 [50]	
												100 [50]	
												140 [80]	
[Durable within pressure fluctuation range]	$[\Delta p_{dyn} = p_2 - p_1]$ [bar]			160 [90]	160 [90]								
								180 [93]					
									200 [115]				
					210 [120]				210 [93]				
		250 [140]	250 [140]	250 [120]	250 [90]			250 [140]	250 [140]	250 [140]	250 [140]	250 [140]	250 [140]
							330 [140]						
								350 [140]			350 [140]	350 [140]	350 [140]
		Operating temperature		°C		-15 ... +80 NBR seals (acrylonitrile-butadiene rubber) -35 ... +80 ECO seals (epichlorohydrin rubber) -10 ... +80 FKM seals (fluorocarbon rubber)							
Maximum admissible degree of contamination of the hydraulic fluid, cleanliness class according to ISO 4406 (c)				Class 20/18/15									

Hydraulic fluid	Classification	Material Accumulator diaphragm	Standards	Data sheet
Mineral oils	HLP, HLPD, HVLP, HVLPD	NBR, ECO	DIN 51524	90220
Bio-degradable	▶ Insoluble in water	HETG	ISO 15380	90221
		HEES		
	▶ Soluble in water	HEPG	ISO 15380	
Flame-resistant	▶ Water-free	HFDU	ISO 12922	90222
		HFDR		
	▶ Containing water	HFC	ISO 12922	90223

Pneumatic

Charging gas	Nitrogen, at least cleanliness class 4.0, $N_2 = 99.99$ vol.%		
Gas filling pressure (at 20 °C room temperature)	p_0	bar	0 ... 250 or see Preferred types, page Page 12, Page 13

Application, mode of operation

Applications

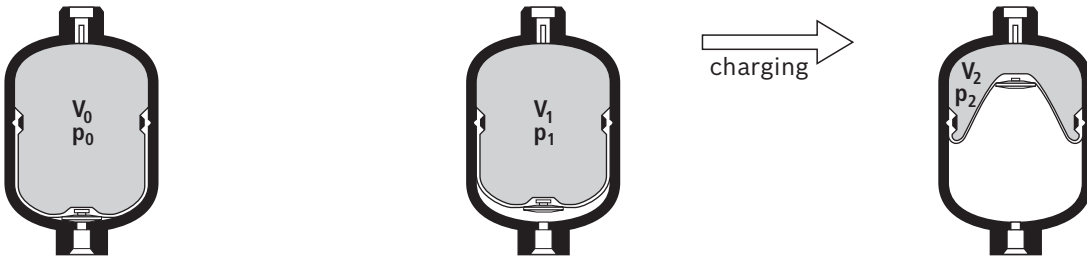
Various applications exist for hydro-pneumatic accumulators:

- ▶ Energy storage in order to save pump drive power in intermittent operation systems.
- ▶ Energy reserve for emergencies, e.g. upon failure of the hydraulic pump.
- ▶ Compensation of leakage losses.
- ▶ Impact and vibration absorption in case of periodic vibrations.
- ▶ Volume compensation in case of pressure and temperature changes.
- ▶ Suspension element for vehicles.
- ▶ Shock absorption with mechanical shocks.

Mode of operation

Fluids are almost incompressible and therefore cannot store pressure energy. Hydro-pneumatic accumulators use the compressibility of a gas for fluid storage. The nitrogen used must at least comply with cleanliness class 4.0:

N₂ 99.99 vol.%



Calculation

Pressures

For calculation of an accumulator, the following pressures play a respective role:

- p_0 = Preset gas pressure at room temperature and drained fluid chamber
- p_{0T} = Preset gas pressure at operating temperature
- p_1 = Minimum operating over pressure
- p_2 = Maximum operating over pressure
- t_{max} = Maximum operating temperature

In order to achieve the best utilization of the accumulator volume possible as well as a long life cycle, compliance with the following values is recommended:

$$p_0, t_{max} \approx 0.9 p_1 \quad (1)$$

The highest hydraulic pressure should not exceed four times the filling pressure, as otherwise too much stress will be put on the elasticity of the diaphragm, resulting in too great a compression change with strong gas heating.

The life cycle of the diaphragm is the higher the smaller the difference between p_1 and p_2 is. However, the operating ratio of the maximum accumulator capacity will also be reduced accordingly.

Diaphragm accumulator

$$p_2 \leq 4 \cdot p_0 \quad (2)$$

On request

$$p_2 \leq 8 \cdot p_0$$

Notice:

To achieve an increased pressure ratio ($p_0 : p_2 > 1 : 4$) in the accumulator, a filler can be installed on the gas side of the accumulator.

This way, the usable gas volume V_1 is decreased while the diaphragm is protected against inadmissible deformation.

Calculation

Oil volume

According to the pressures $p_0 \dots p_2$, the gas volumes $V_0 \dots V_2$ will result. In this process, V_0 simultaneously is the nominal volume of the accumulator. The available oil volume ΔV corresponds to the difference of the gas volumes V_1 and V_2 :

$$\Delta V \leq V_1 - V_2$$

The gas volume variable within a pressure differential is determined by the following equations:

- For an **isothermal state change of gases**, i.e. when the change of the gas cushion happens so slowly as to leave sufficient time for a complete heat exchange between the nitrogen and its environment, therefore keeping the temperature constant, the following applies:

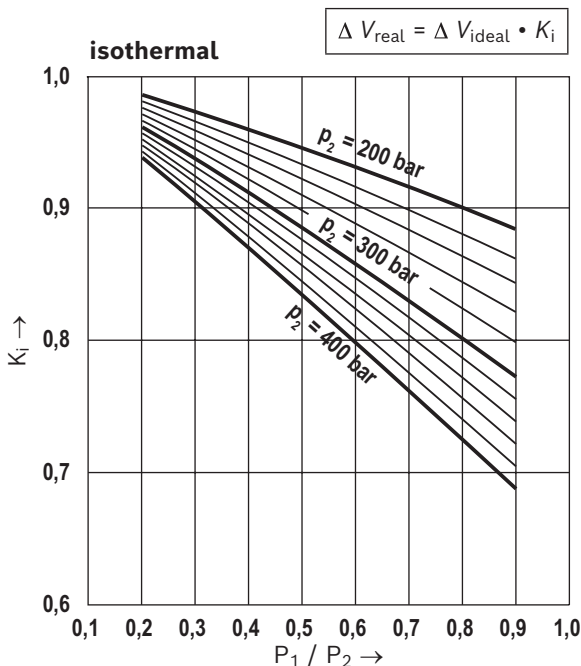
$$p_0 \cdot V_0 = p_1 \cdot V_1 = p_2 \cdot V_2 \quad (4.1)$$

Calculation diagram

For graphic determination, the formulas (4.1) and (4.2) are converted into diagrams on pages 9 and 10. Depending on the task, the available oil volume, the accumulator size or the pressures can be determined.

Correction factor K_i and K_a

The equations (4.1) and (4.2) apply to ideal gases only. The behavior of real gases, however, will show considerable variation at operating pressures above 200 bar which will have to be accounted for by correction factors. These can be taken from the following diagrams. The correction factors the ideal sampling volume ΔV is to be multiplied with lie within a range of 0.6 ... 1.



- For an **adiabatic state change**, i.e. a quick change of the gas cushion accompanied by a temperature change of the nitrogen, the following applies:

$$p_0 \cdot V^{\chi_0} = p_1 \cdot V^{\chi_1} = p_2 \cdot V^{\chi_2} \quad (4.2)$$

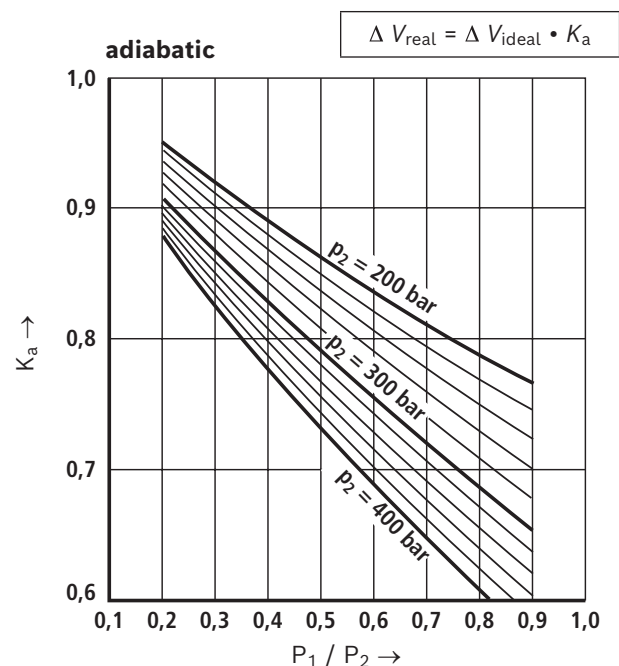
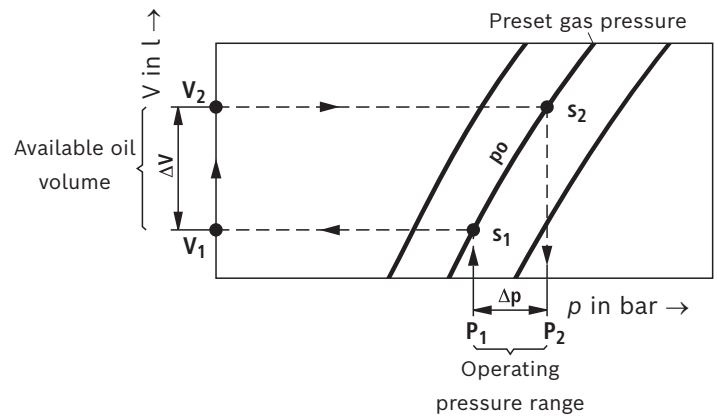
- χ = Ratio of the specific gas heats (adiabatic exponent), for nitrogen = 1.4

In practice, state changes rather follow adiabatic laws. Often charging is isothermal and discharge is adiabatic.

Considering the equations (1) and (2), ΔV is between 50% ... 70% of the nominal accumulator volume. The following applies as a guiding principle:

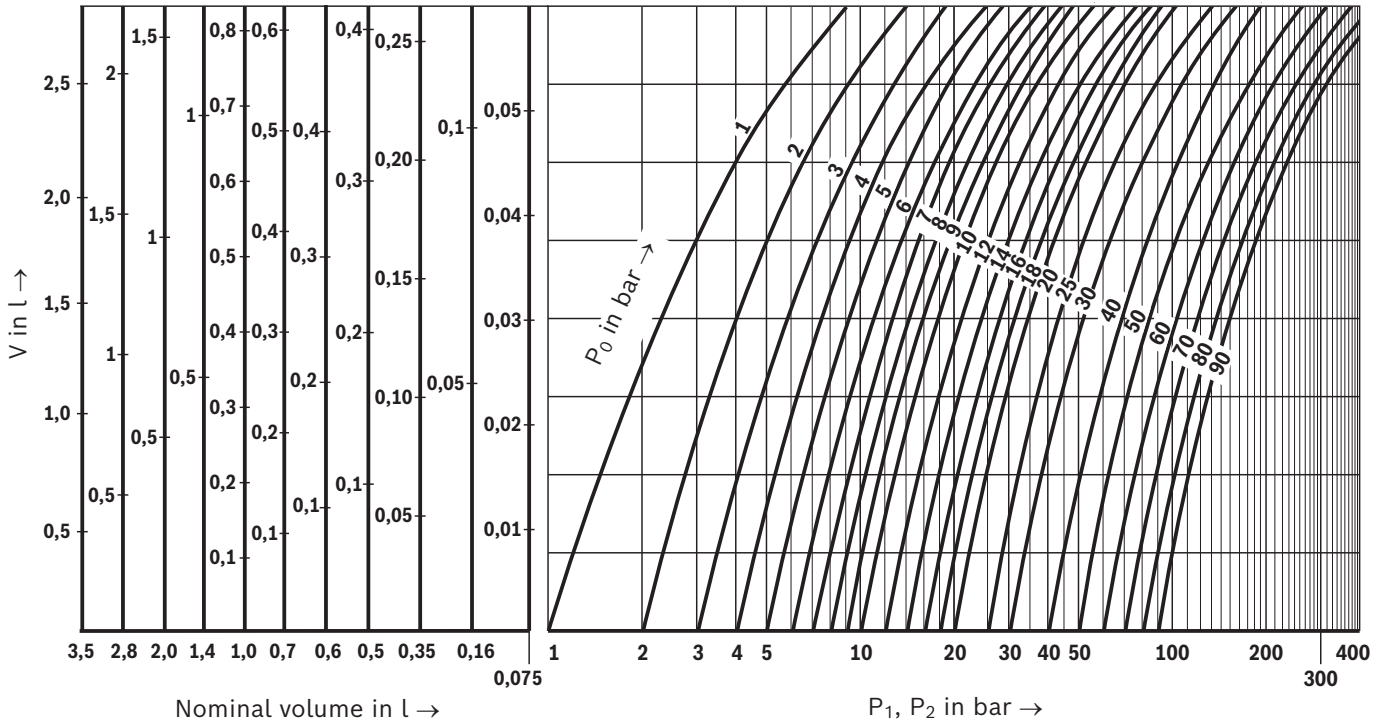
$$V_0 = 1.5 \dots 3 \times \Delta V \quad (5)$$

Application of calculation diagrams

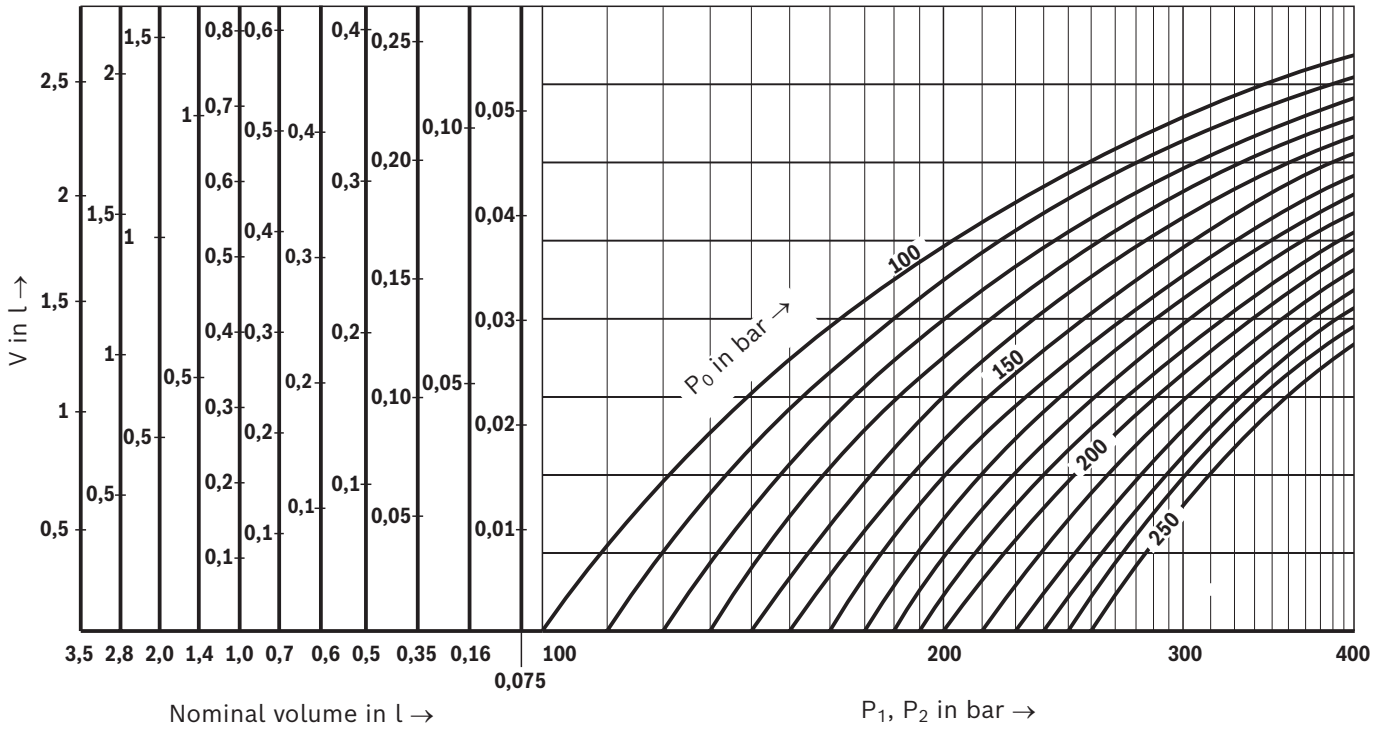


Characteristic curves

Isothermal state changes $p_0 = 1$ to 90 bar

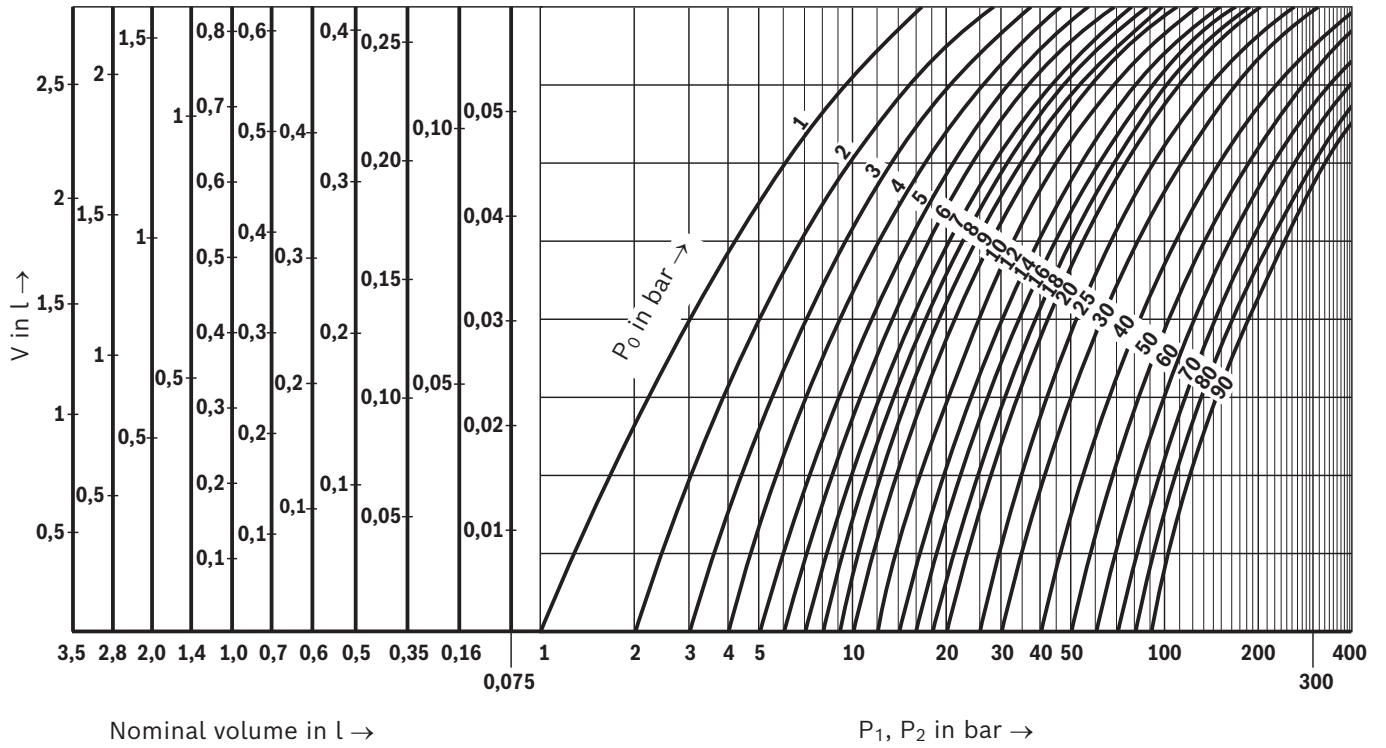


Isothermal state changes $p_0 = 100$ to 250 bar

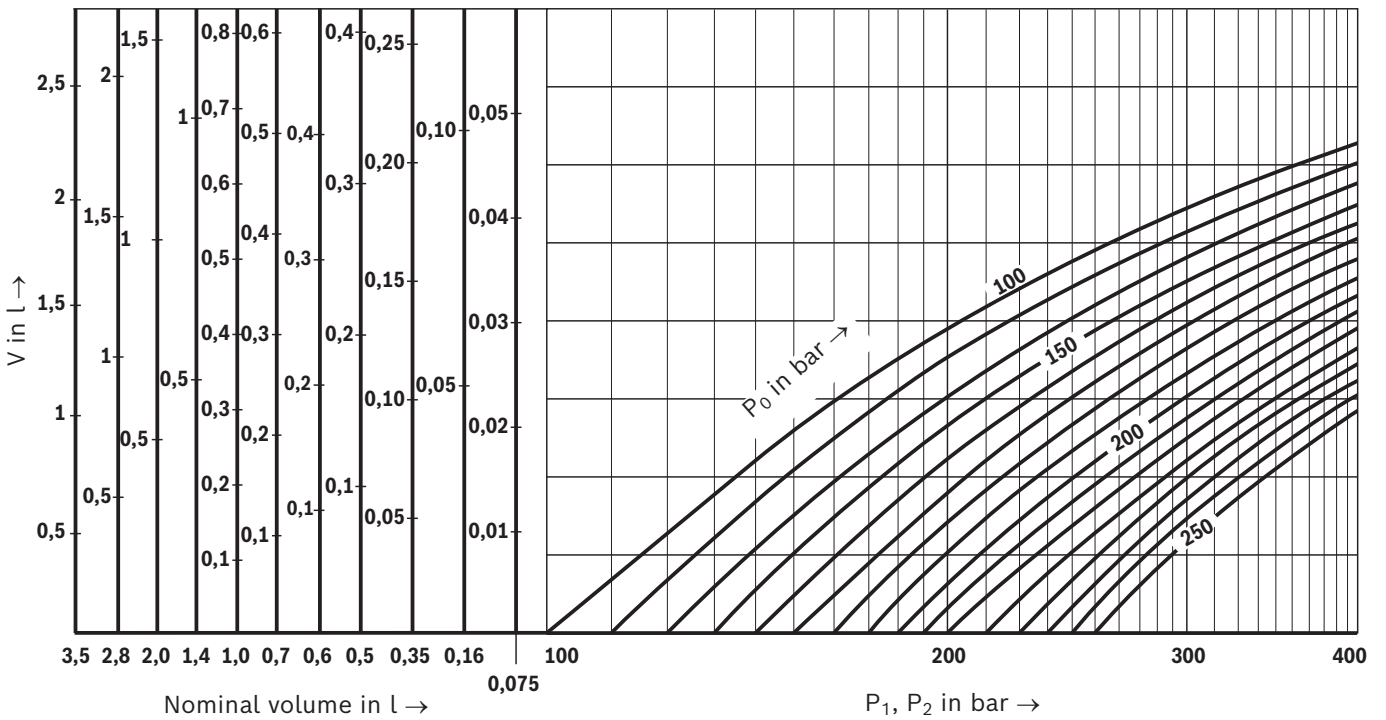


Characteristic curves

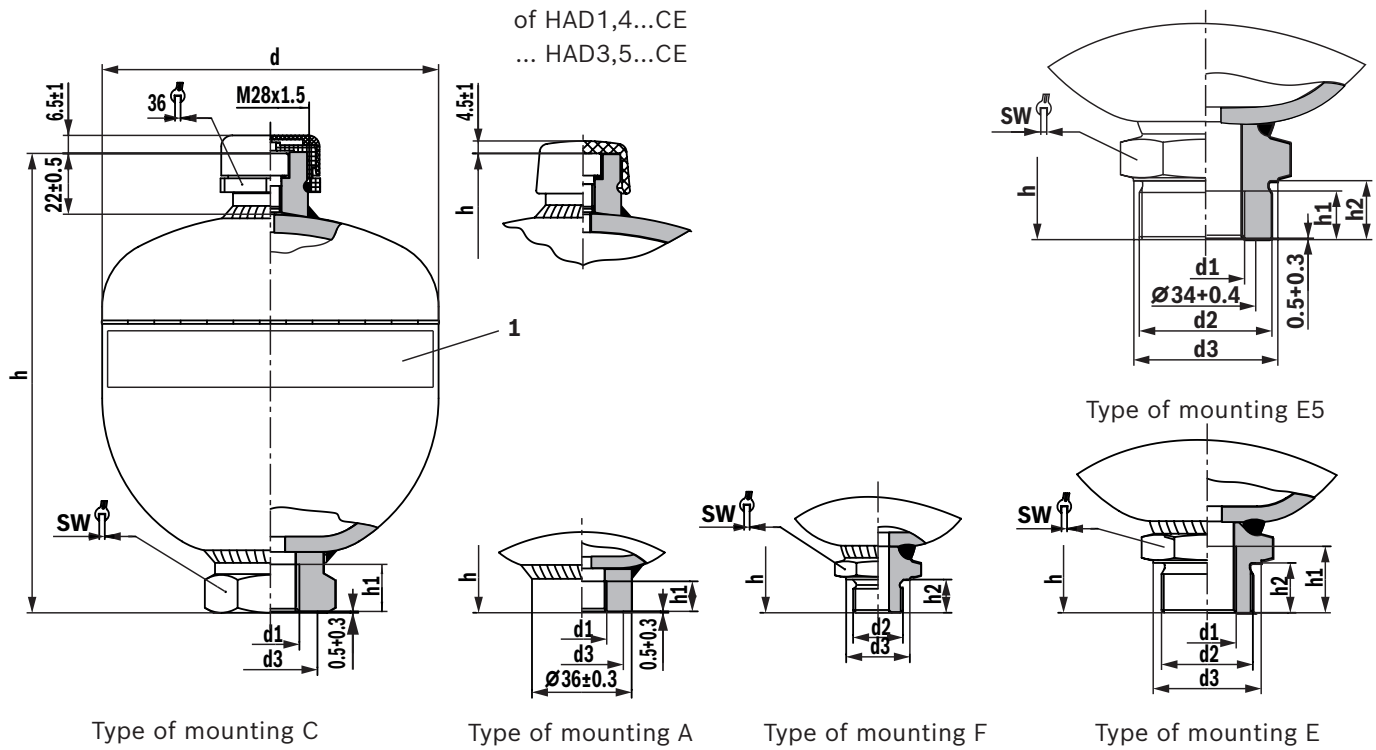
Adiabatic state changes $p_0 = 1$ to 90 bar



Adiabatic state changes $p_0 = 100$ to 250 bar



Dimensions: Total overview
(dimensions in mm)



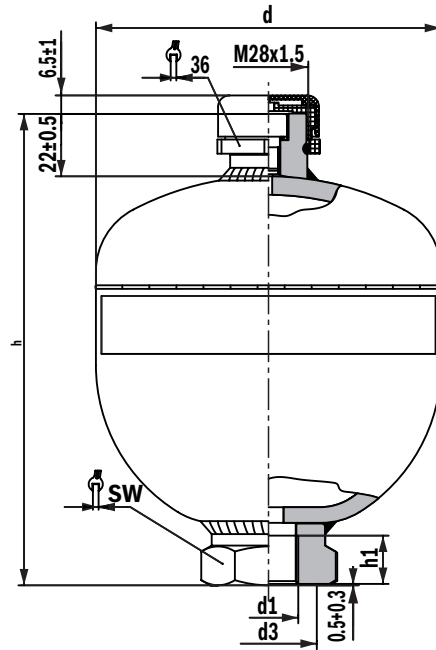
1 Labeling

Volume/ pressure/series	Port size	Type of mounting	h	h1	h2	d	d1	d2	d3	SW	Weight [kg]
0.075-250-1X	G04	C	110.5±1.5	14min.	-	Ø64+0.3	G1/2	-	Ø29+0.4	32	~0.9
	Z04	F	112±1.5	-	12±0.2	Ø64+0.3	-	M14 x 1.5	Ø19±0.2	19	~0.7
0,16-250-1X	Z06	A	114±1.5	14min.	-	Ø75+0.3	M18 x 1.5	-	Ø30+0.4	-	~1.0
	G04	C	119±1.5	14min.	-	Ø75+0.3	G1/2	-	Ø29+0.4	32	~0.9
0.35-160-1X	Z06	F	123±1.5	-	12±0.2	Ø75+0.3	-	M18 x 1.5	Ø23±0.2	27	~0.9
	Z06	A	130±1.5	14min.	-	Ø92.5+0.3	M18 x 1.5	-	Ø30+0.4	-	~1.3
0.35-210-1X	G04	A	130±1.5	14min.	-	Ø92.5+0.3	G1/2	-	Ø34+0.4	-	~1.3
	Z06	C	135±1.5	14min.	-	Ø92.5+0.3	M18 x 1.5	-	Ø30+0.4	41	~1.4
0.35-250-1X	G04	C	136±1.5	17min.	-	Ø92.5+0.3	G1/2	-	Ø34+0.4	41	~1.4
	G04	C	141±1.5	17min.	-	Ø95+0.3	G1/2	-	Ø34+0.4	41	~1.7
0.5-160-1X	Z06	C	149±1.5	14min.	-	Ø103+0.3	M18 x 1.5	-	Ø30+0.4	41	~1.6
	Z06	A	143±1.5	14min.	-	Ø103+0.3	M18 x 1.5	-	Ø30+0.4	-	~1.5
	G04	A	143±1.5	14min.	-	Ø103+0.3	G1/2	-	Ø34+0.4	-	~1.6
0.5-250-2X	Z06	C	151±1.5	14min.	-	Ø106.7+0.3	M18 x 1.5	-	Ø30+0.4	41	~2.1
	G04	C	151±1.5	17min.	-	Ø106.7+0.3	G1/2	-	Ø34+0.4	41	~2.1
0.6-330-1X	G04	C	170±1.5	17min.	-	Ø110+0.3	G1/2	-	Ø34+0.4	-	~2.9

Dimensions: Total overview
(dimensions in mm)

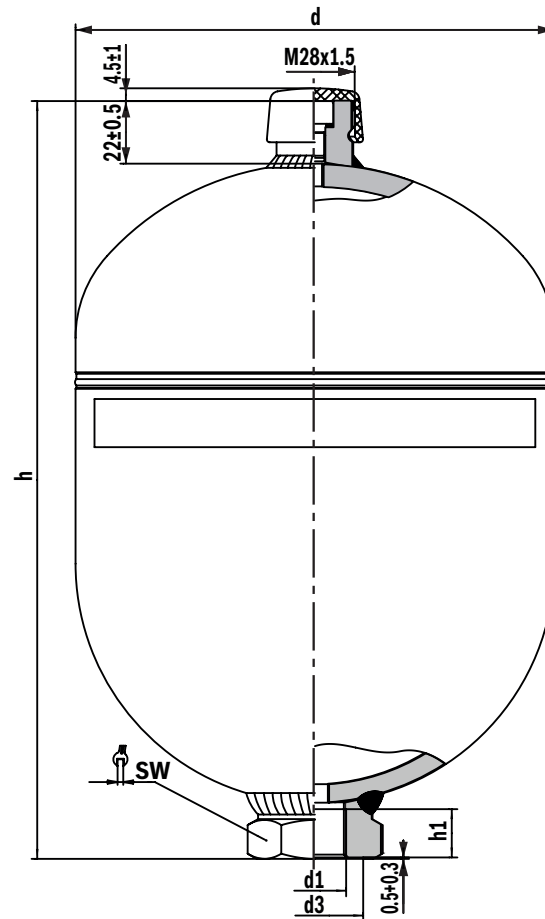
Volume/pressure/ series	Port size	Type of mounting	h	h1	h2	d	d1	d2	d3	SW	Weight [kg]
0.7-180-1X	G04	C	166±1.5	17min.	-	Ø121.5+0.3	G1/2	-	Ø34+0.4	41	~2.6
	Z06	C	166±1.5	14min.	-	Ø121.5+0.3	M18 x 1.5	-	Ø30+0.4	41	~3.0
	Z06	A	160±1.5	14min.	-	Ø121.5+0.3	M18 x 1.5	-	Ø30+0.4	-	~2.6
	G04	A	160±1.5	14min.	-	Ø121.5+0.3	G1/2	-	Ø34+0.4	-	~2.6
	G04	E	177±1.5	24min.	18±0.2	Ø121.5+0.3	G1/2	M33 x 1.5	Ø39±0.3	41	~2.6
0.7-210-1X	G04	C	166±1.5	14min.	-	Ø121.5+0.3	G1/2	-	Ø34+0.4	41	~2.6
	G04	E	177±1.5	24min.	18±0.2	Ø121.5+0.3	G1/2	M33 x 1.5	Ø39±0.3	41	~2.7
0.7-250-1X	G04	C	169±1.5	17min.	-	Ø123.6+0.3	G1/2	-	Ø34+0.4	41	~3.2
	Z06	A	163±1.5	14min.	-	Ø123.6+0.3	M18 x 1.5	-	Ø30+0.4	-	~2.9
	G04	A	163±1.5	14min.	-	Ø123.6+0.3	G1/2	-	Ø34+0.4	-	~2.9
	G04	E	180±1.5	24min.	18±0.5	Ø123.6+0.3	G1/2	M33 x 1.5	Ø39±0.2	41	~3.1
0,7-350-2X	G04	C	173±1.5	14min.	-	Ø128.5+0.6	G1/2	-	Ø34+0.4	41	~4.0
	G04	E	184±1.5	24min.	18±0.2	Ø128.5+0.6	G1/2	M33 x 1.5	Ø39±0.3	41	~4.0
1.0-200-1X	G04	C	180±1.5	14min.	-	Ø136.2+0.3	G1/2	-	Ø34+0.4	41	~3.5
	Z08	C	180±1.5	17min.	-	Ø136.2+0.3	M22 x 1.5	-	Ø34+0.4	41	~3.5
	G04	E	191±1.5	24min.	18±0.2	Ø136.2+0.3	G1/2	M33 x 1.5	Ø39±0.3	41	~3.6
1.0-250-1X	G04	C	181±1.5	17min.	-	Ø137+0.3	G1/2	-	Ø34+0.3	41	~3.8
1.4-140-1X	G04	C	191±1.5	14min.	-	Ø147+0.6	G1/2	-	Ø34+0.4	41	~4.3
	G04	E	202±1.5	24min.	18±0.2	Ø147+0.6	G1/2	M33 x 1.5	Ø39±0.3	41	~4.2
1.4-250-1X	G04	C	195±1.5	14min.	-	Ø152+0.6	G1/2	-	Ø34+0.4	41	~5.5
	Z08	C	195±1.5	14min.	-	Ø152+0.6	M22 x 1.5	-	Ø34+0.4	41	~5.5
	G04	E	206±1.5	24min.	18±0.2	Ø152+0.6	G1/2	M33 x 1.5	Ø39±0.3	41	~5.5
1.4-350-2X	G04	C	198±1.5	14min.	-	Ø156+0.6	G1/2	-	Ø34+0.4	41	~6.8
	G04	E	209±1.5	24min.	18±0.2	Ø156+0.6	G1/2	M33 x 1.5	Ø39±0.3	41	~6.8
2.0-100-1X	G04	C	240±2	17min.	-	Ø144.7+0.5	G1/2	-	Ø34+0.4	41	~4.1
	Z08	C	240±2	14min.	-	Ø144.7+0.5	M22 x 1.5	-	Ø34+0.4	41	~4.1
	G05	E5	258±1.5	16min.	20±0.2	Ø144.7+0.5	G3/4	M45 x 1.5	Ø49±0.3	50	~4.3
2.0-250-1X	G04	C	251±1.5	14min.	-	Ø156+0.6	G1/2	-	Ø34+0.4	41	~8.6
	Z08	C	251±1.5	14min.	-	Ø156+0.6	M22 x 1.5	-	Ø34+0.4	41	~8.6
	G05	C	251±0.5	16min.	-	Ø156+0.6	G3/4	-	Ø33+0.4	41	~8.6
	G05	E5	269±1.5	16min.	20±0.5	Ø156+0.6	G3/4	M45 x 1.5	Ø49±0.3	50	~8.9
2.0-350-2X	G05	C	251±1.5	14min.	-	Ø156+0.6	G3/4	-	Ø33+0.4	41	~9.5
	G05	E5	269±1.5	16min.	20±0.5	Ø156+0.6	G3/4	M45 x 1.5	Ø49±0.3	50	~8.9
2.8-70-1X	G04	C	266±2	17min.	-	Ø160+0.3	G1/2	-	Ø34+0.4	41	~10.0
	Z08	C	266±2	17min.	-	Ø160+0.3	M22 x 1.5	-	Ø34+0.4	41	~10.0
2.8-250-2X	Z08	C	267±1.5	17min.	-	Ø168.5±1.5	M22 x 1.5	-	Ø34+0.4	41	~8.0
	G05	C	267±1.5	16min.	-	Ø168.5±1.5	G3/4	-	Ø33+0.4	41	~8.3
	G05	E5	286±1.5	16min.	20±0.5	Ø168.5±1.5	G3/4	M45 x 1.5	Ø49±0.3	50	~8.6
2,8-350-2X	G05	C	271±1.5	16min.	-	Ø175±0.6	G3/4	-	Ø34+0.4	41	~11.5
	G05	E5	290±1.5	16min.	20±0.5	Ø175±0.6	G3/4	M45 x 1.5	Ø49±0.3	50	~11.8
3,5-55-2X	G05	C	312±1.5	16min.	-	Ø168.5±1.5	G3/4	-	Ø33+0.4	41	~9.6
3,5-250-2X	G05	C	312±1.5	16min.	-	Ø168.5±1.5	G3/4	-	Ø33+0.4	41	~9.6
	G05	E5	331±1.5	16min.	20±0.5	Ø168.5±1.5	G3/4	M45 x 1.5	Ø49±0.3	50	~9.8

Dimensions: Preferred types: 0.075 ... 1 l
(dimensions in mm)



Ordering code/type	Volume/ pressure/ series	Material number	h	h1	d	d1	d3	SW	Weight [kg]
HAD0,075-250-1X/OG04C-1N111-BA	0.075-250-1X	R901359266	110.5±1.5	14min.	Ø64+0.3	G1/2	Ø29+0.4	32	~0.9
HAD0,16-250-1X/OG04C-1N111-BA	0,16-250-1X	R901359268	119±1.5	14min.	Ø75+0.3	G1/2	Ø29+0.4	32	~0.9
HAD0,35-250-1X/OG04C-1N111-BA	0.35-250-1X	R901461019	141±1.5	17min.	Ø95+0.3	G1/2	Ø34+0.4	41	~1.7
HAD0,5-250-2X/OG04C-1N111-BA	0.5-250-2X	R901463743	151±1.5	17min.	Ø106.7+0.3	G1/2	Ø34+0.4	41	~2.1
HAD0,6-330-1X/OG04C-1N111-BA	0.6-330-1X	R901445989	170±1.5	17min.	Ø110+0.3	G1/2	Ø34+0.4	41	~2.9
HAD0,7-250-1X/OG04C-1N111-BA	0.7-250-1X	R901463745	169±1.5	17min.	Ø123.6+0.3	G1/2	Ø34+0.4	41	~3.0
HAD1,0-250-1X/OG04C-1N111-BA	1.0-250-1X	R901461023	181±1.5	17min.	Ø137+0.3	G1/2	Ø34+0.4	41	~3.8

Dimensions: Preferred types: 1.4 ... 3.5 l
(dimensions in mm)



Ordering code/type	Volume/ pressure/ series	Material number	h	h1	d	d1	d3	SW	Weight [kg]
HAD1,4-250-1X/0G04C-1N111-CE	1.4-250-1X	R901463746	195±1.5	14min.	∅152+0.6	G1/2	∅34+0.4	41	~5.5
HAD2,0-250-1X/0G05C-1N111-CE	2.0-250-1X	R901463747	251±1.5	16min.	∅156+0.6	G3/4	∅33+0.4	41	~8.6
HAD2,8-250-2X/0G05C-1N111-CE	2.8-250-2X	R901463748	267±1.5	16min.	∅168.5±1.5	G3/4	∅33+0.4	41	~8.3
HAD3,5-250-2X/0G05C-1N111-CE	3,5-250-2X	R901463764	312±1.5	16min.	∅168.5±1.5	G3/4	∅33+0.4	41	~9.6

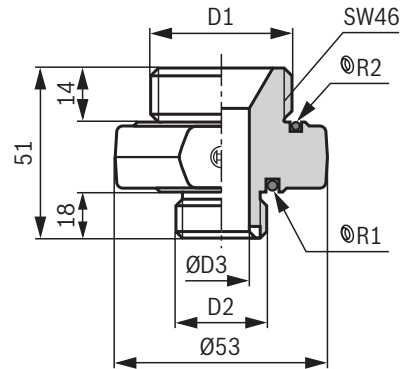
Accessories

(dimensions in mm)

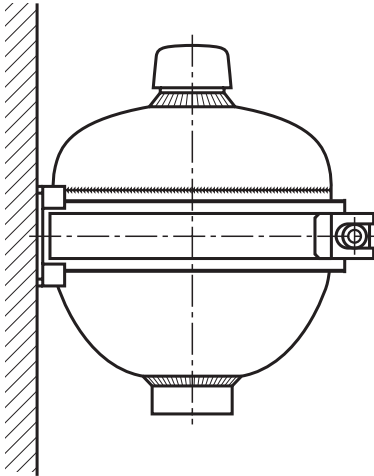
Accumulator adapter for accumulator shut-off blocks type ABZSS

Please select the matching type according to data sheet 50131.

Accumulators D1	Block D2	ØD3	Material number
M22 x 1.5	M33 x 2	12	1 533 359 012
M18 x 1.5		8	1 533 359 013
G1/2 ISO 228		8	1 533 359 034

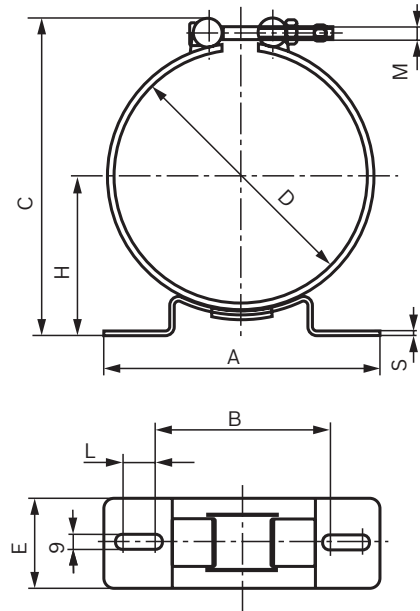


Mounting clamp, see selection table



Type	Material number	Denomination
HAD0,075-250-1X	-	
HAD0,16-250-1X	-	
HAD0,35-160-1X	1531316017	MOUNTING CLAMP 92-97 MM
HAD0,35-210-1X		
HAD0,35-250-1X		
HAD0,5-160-1X	1531316018	MOUNTING CLAMP 101-111 MM
HAD0,5-250-2X		
HAD0,6-330-1X	1531316021	MOUNTING CLAMP 110-120 MM
HAD0,7-180-1X	1531316015	MOUNTING CLAMP 119-128 MM
HAD0,7-210-1X		
HAD0,7-250-1X		
HAD0,7-350-2X	R901073992	MOUNTING CLAMP 128-136 MM
HAD1,0-200-1X	1531316019	MOUNTING CLAMP 135-145 MM
HAD1,0-250-1X		
HAD1,4-140-1X	1531316016	MOUNTING CLAMP 145-155 MM
HAD1,4-250-1X		
HAD1,4-350-2X	R901526730	MOUNTING CLAMP 155-163 MM
HAD2,0-100-1X	1531316016	MOUNTING CLAMP 145-155 MM
HAD2,0-250-1X	R901526730	MOUNTING CLAMP 155-163 MM
HAD2,0-350-2X		
HAD2,8-70-1X		
HAD2,8-250-2X	1531316022	MOUNTING CLAMP 160-170 MM
HAD2,8-350-2X	1531316020	MOUNTING CLAMP 170-180 MM
HAD3,5-55-2X	1531316022	MOUNTING CLAMP 160-170 MM
HAD3,5-250-2X		

Accessories: Mounting clamps
(dimensions in mm)



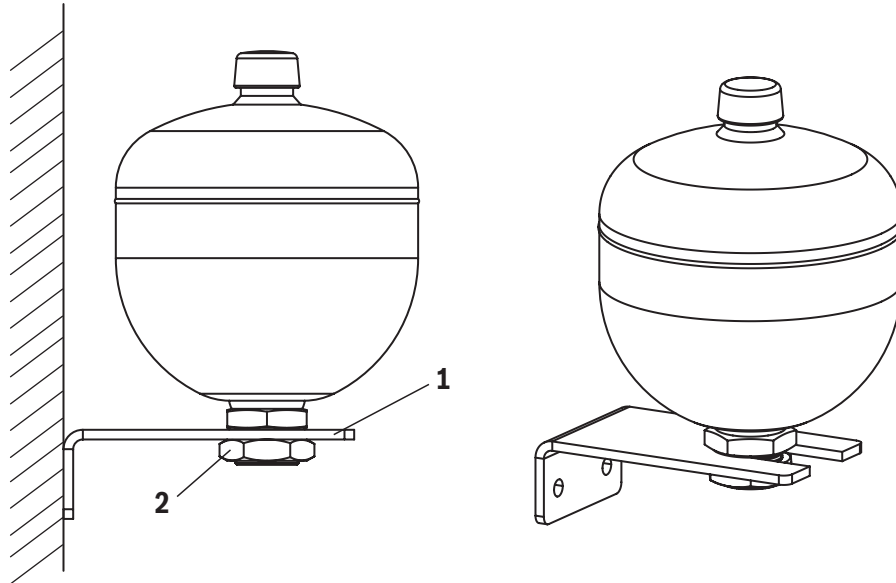
Denomination	Dimensions									Material number
	A	B	C	D	E	H	L	M	S	
Mounting clamp 92-97 MM	120	85	117	92-97	40	52.5-55.0	8	M6	3	1531316017
Mounting clamp 101-111 MM	135	96	141	101-111	50	60.0-65.0	6	M8	3	1531316018
Mounting clamp 110-120 MM	135	96	150	110-120	50	64.5-69.5	6	M8	3	1531316021
Mounting clamp 119-128 MM	135	96	158	119-128	50	69.0-73.5	6	M8	3	1531316015
Mounting clamp 128-136 MM	156	100	166	128-136	50	71.3-75.3	18	M8	3	R901073992
Mounting clamp 135-145 MM	156	100	175	135-145	50	75.5-80.5	18	M8	3	1531316019
Mounting clamp 145-155 MM	156	100	185	145-155	50	80.5-84.5	18	M8	3	1531316016
Mounting clamp 155-163 MM	156	100	193	155-163	50	85.0-89.0	18	M8	3	R901526730
Mounting clamp 163-170 MM	237	147	200	163-170	50	90.2-95.2	35	M8	4	1531316022
Mounting clamp 170-180 MM	237	147	210	170-180	50	95.2-100.2	35	M8	4	1531316020

Accessories

(dimensions in mm)

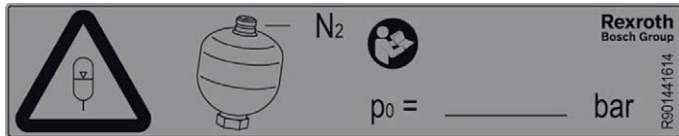
Mounting kit for type of mounting E and E5

consisting of mounting bracket and hexagon nut



Position	Designation	Material number
1+2	MOUNTING KIT ZN10060-K 0,7-1,4 Liter	R901273946
1+2	MOUNTING KIT ZN10060-K 2,0-3,5 Liter	R901273947
2	HEXAGON NUT M33X1.5X11-CM-FE-ZN-&	R901285712
2	HEXAGON NUT M45X1.5X13 CM FE-ZN	R901280785

Warning sign ^{2) 3)}



Warning sign	Material number
► For diaphragm accumulator (HAD) Size: 100 mm x 20 mm Color: yellow	R901441614

²⁾ The warning sign can be directly attached at the accumulator as of nominal volume 0.35 l.

³⁾ The warning sign is available for order as of a batch size of 100 units.

Spare protective cap for gas valve ⁴⁾



Protective cap HAD	Material number
► For all diaphragm accumulators (HAD) Color: red	R913002007

⁴⁾ The protective cap is available for order as of a batch size of 10 units.

Accessories

(dimensions in mm)

Charging and test device

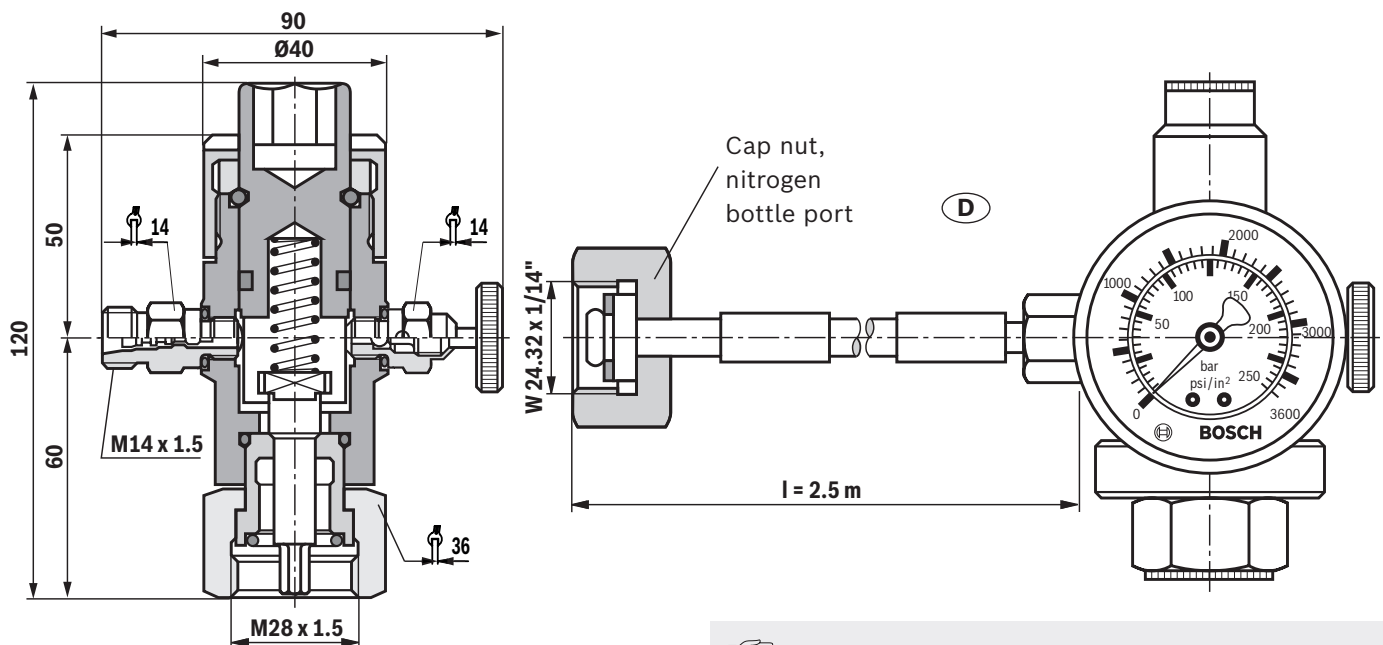


Measurement case	Material number
► For diaphragm accumulator (HAD)	0538103012
► For bladder and diaphragm accumulator (HAB/HAD)	0538103014
► Spare parts:	
– Case (without contents)	R901079781
– Charging and test valve HAB	0538103005
– Charging and test valve HAD	0538103006
– Pressure gauge 0 ... 250 bar	1537231001
– Hose l = 2.5 m with cap nut	1530712005

(D)

Supplemental parts (separate order)		Material number
Pressure gauge 0 ... 25 bar		R900033955
Pressure gauge 0 ... 60 bar		1537231002
Pressure gauge 0 ... 400 bar		1537231005
Adapter for nitrogen bottle to cap nut	(F)	1533391010
	(GB)	1533391011
	(USA)	1533391012
	(KR)	1533391013
	(J)	R900216133
	(RUS)	1533391015
Hose l = 5 m with cap nut	(D)	1530712006

Dimensions: Charging and test valve HAD



Notice:

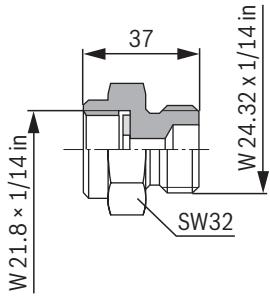
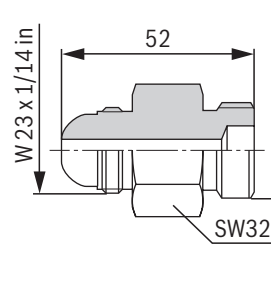
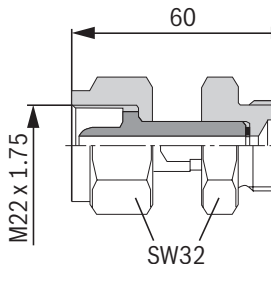
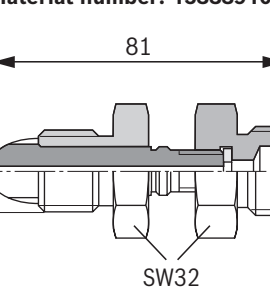
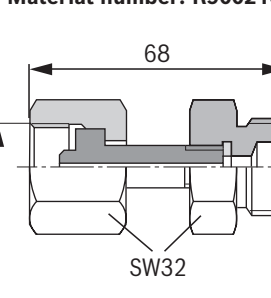
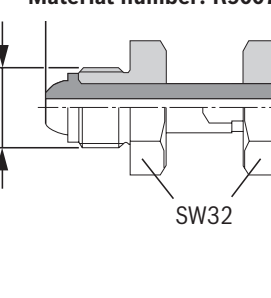
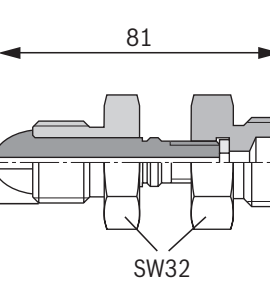
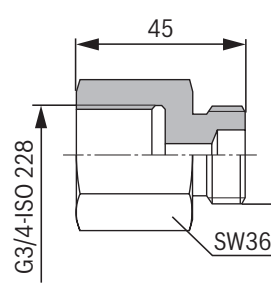
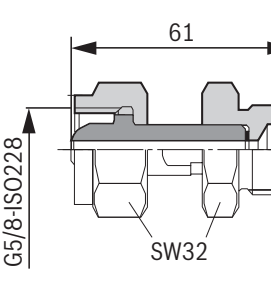
Above the gas valve of the accumulator, an installation space of 200 mm must be provided for use of the testing and charging device. The maximum operating pressure of 300 bar must not be exceeded.

For respective adapters, see page Page 14 and Page 16

Accessories

(dimensions in mm)

Adapter for nitrogen bottle to cap nut

<p>Material number: 1533391010</p> 	<p>Material number: 1533391013</p> 	<p>Material number: R900034782</p> 
<p>Material number: 1533391011</p> 	<p>Material number: R900216133</p> 	<p>Material number: R900708208</p> 
<p>Material number: 1533391012</p> 	<p>Material number: 1533391015</p> 	<p>Material number: R901070776</p> 

Accessories

Adapter for nitrogen bottle to cap nut

Country ¹⁾	Material number								
	1533391010	1533391011	1533391012	1533391013	R900216133	1533391015	R900034782	R900708208	R901070776
Brazil		x							
Bulgaria		x							
China									x
France	x								
Greece		x							
United Kingdom		x							
India		x							
Indonesia		x							
Italy								x	
Japan					x				
Canada			x						
North Korea				x					
South Korea				x					
Malaysia		x							
Mexico	x								
Pakistan		x							
Romania	x								
Russia							x		
Spain		x							
Saudi Arabia	x								
Singapore		x							
Taiwan								x	
Turkey		x							
USA			x						

¹⁾ Other countries upon request

Important notes

Intended use

Rexroth diaphragm accumulators type HAD..-1X/2X are intended for the set-up of hydraulic drive systems in stationary mechanical engineering and plant construction. In mobile applications or applications in which acceleration forces are applied to the diaphragm accumulator during intended use, its use is permitted only following release by the competent Rexroth product manager. Please contact technical sales for this. Rexroth diaphragm accumulators type HAD..-1X/2X are not intended for private use.

Project planning information

Diaphragm accumulators have to be safely and permanently fastened to the machine or system using mounting elements. The fastening is intended to keep the oil port tension-free. Particularly, no tension forces or static or dynamic inertia forces should be applied to the oil port.

Thermal expansion of the supporting structure and vibrations originating from the environment should be considered in the selection of suitable mounting points.

Safety instructions for hydro-pneumatic accumulators

The machine end-user is required to enclose operating instructions RE 50150-B for the machine or system and the CE Declaration of Conformity for containers > 1 liters. General information for hydro-pneumatic accumulators in hydraulic systems can be found in EN ISO 4413. Keep all documents included in the delivery in a safe place. They will be required by the expert in recurring tests.

Safety equipment

Notice:

Hydro-pneumatic accumulators have to be secured against operation outside of the admissible limits according to Pressure Equipment Directive 2014/68/EU.

Legal provisions

Hydro-pneumatic accumulators are pressure vessels and subject to the application national provisions and/or regulations valid at the place of installation.

In Germany, the Ordinance on Industrial Safety and Health (BetrSichV) applies.

In special applications, additional regulations for shipbuilding, aircraft construction or mining may apply.

Authorized persons

According to Ordinance on Industrial Safety and Health (BetrSichV), only authorized persons may carry out tests. Authorized persons are such persons having obtained the required expert knowledge through professional training, experience and recent professional activity.

In order not to exceed the maximum operating pressure, Bosch Rexroth recommends the use of an accumulator shut-off block type ABZSS according to data sheet 50131.

Further information

Operating instructions in different languages and declarations of conformity for tank sizes of 1.4 ... 3.5 liters are included in the scope of delivery of the product.

You can also download them from our website:

www.boschrexroth.com/had

Operating instructions

Language	Operating instructions
German	RD 50150-B
English	RE 50150-B
Spanish	RS 50150-B
French	RF 50150-B
Italian	RI 50150-B
Russian	R-RS 50150-B
Czech	R-CZ 50150-B
Polish	R-PL 50150-B
Chinese	RC 50150-B
Turkish	RT 50150-B

CE Declarations of Conformity

in German, English, French

Type	Declaration of conformity
HAD up to 1.0	-
HAD1,4 - HAD3,5	RA83506544

Notes

Notes

Bosch Rexroth AG
Industrial Hydraulics
Zum Eisengießer 1
97816 Lohr am Main, Germany
Phone +49 (0) 93 52/40 30 20
my.support@boschrexroth.de
www.boschrexroth.de

© All rights reserved to Bosch Rexroth AG, also regarding any disposal, exploitation, reproduction, editing, distribution, as well as in the event of applications for industrial property rights.
The data specified above only serve to describe the product. No statements concerning a certain condition or suitability for a certain application can be derived from our information. The information given does not release the user from the obligation of own judgment and verification.
It must be remembered that our products are subject to a natural process of wear and aging.

Notes

Bosch Rexroth AG
Industrial Hydraulics
Zum Eisengießer 1
97816 Lohr am Main, Germany
Phone +49 (0) 93 52/40 30 20
my.support@boschrexroth.de
www.boschrexroth.de

© All rights reserved to Bosch Rexroth AG, also regarding any disposal, exploitation, reproduction, editing, distribution, as well as in the event of applications for industrial property rights.
The data specified above only serve to describe the product. No statements concerning a certain condition or suitability for a certain application can be derived from our information. The information given does not release the user from the obligation of own judgment and verification.
It must be remembered that our products are subject to a natural process of wear and aging.